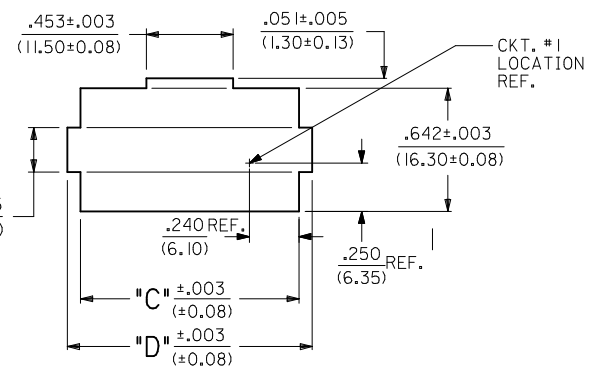
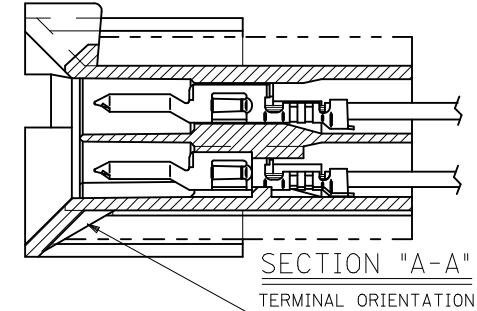
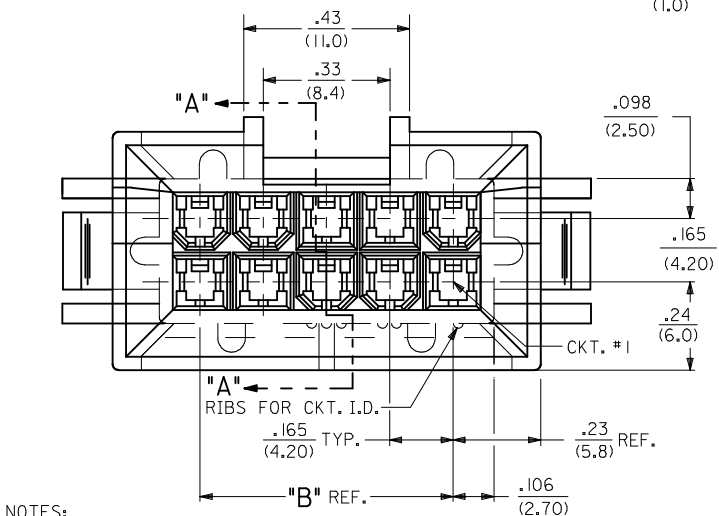


42475-\*\*\*1  
MOUNTING EAR DESIGN "A"  
(SEE NOTE 9)

42475-\*\*\*1  
MOUNTING EAR DESIGN "B"  
(SEE NOTE 9)

CIRCUIT SIZE	DIM. "A"	DIM. "B"	DIM. "C"	DIM. "D"
6	.54 (13.8)	.33 (8.4)	.807 (20.50)	.945 (24.00)
8	.71 (18.0)	.50 (12.6)	.972 (24.70)	1.110 (28.20)
10	.87 (22.2)	.66 (16.8)	1.138 (28.90)	1.276 (32.40)
12	1.04 (26.4)	.83 (21.0)	1.303 (33.10)	1.441 (36.60)
14	1.20 (30.6)	.99 (25.2)	1.469 (37.30)	1.606 (40.80)
16	1.37 (34.8)	1.16 (29.4)	1.643 (41.50)	1.772 (45.00)
18	1.54 (39.0)	1.32 (33.6)	1.799 (45.70)	1.937 (49.20)
20	1.70 (43.2)	1.49 (37.8)	1.965 (49.90)	2.102 (53.40)
22	1.87 (47.4)	1.65 (42.0)	2.130 (54.10)	2.268 (57.60)
24	2.03 (51.6)	1.82 (46.2)	2.295 (58.30)	2.433 (61.80)



RECOMMENDED CUT-OUT FOR .063/(1.60)  
MAX. THICK P.C. BOARD. (6-24 CKT.'S.)

SCALE: 2X

NOTES:

- 1) MATERIAL:  
 1 = NYLON (PA6/6), UNFILLED, UL94 V-2, COLOR: NATURAL  
 2 = NYLON (PA6/6), UNFILLED, UL94 V-0, COLOR: NATURAL  
 3 = NYLON (PA6/6), UNFILLED, UL94 V-2, COLOR: BLACK  
 4 = NYLON (PA6/6), UNFILLED, UL94 V-0, COLOR: BLACK
- 2) FINISH NOT APPLICABLE.  
 3) THIS PART CONFORMS TO MOLEX PRODUCT SPEC. NO. PS-5556-002.  
 4) PACKAGING: PK-42474-001  
 5) 6-24 CKT. PARTS MATE WITH MOLEX RECEPTACLES 5557, 42385 AND 42474. 2 AND 4 CKT. PARTS MATE WITH 42385 AND 42474 ONLY.  
 6) PART IS FOR USE WITH MALE TERMINAL #5558.  
 7) PART ALLOWS FOR UP TO .100/(2.54) MISALIGNMENT WITH MATING RECEPTACLE IN ANY DIRECTION. SEE MATING CONNECTOR DRAWINGS FOR SPECIFIC ALLOWANCES.  
 8) PANEL CUT-OUT TO BE PUNCHED IN THE SAME DIRECTION AS CONNECTOR INSERTION.  
 9) PARTS MANUFACTURED AFTER 95/12/31 MAY HAVE MOUNTING EAR DESIGN "B" PARTS WITH MOUNTING EAR DESIGN "A" WILL BE OBSOLETE AS TOOL LIFE DICTATES. IN SOME CASES, PARTS MAY BE AVAILABLE WITH BOTH MOUNTING EAR DESIGNS. SEE CHART ON SHEET 4 FOR SPECIFIC EAR DESIGN AVAILABILITY.

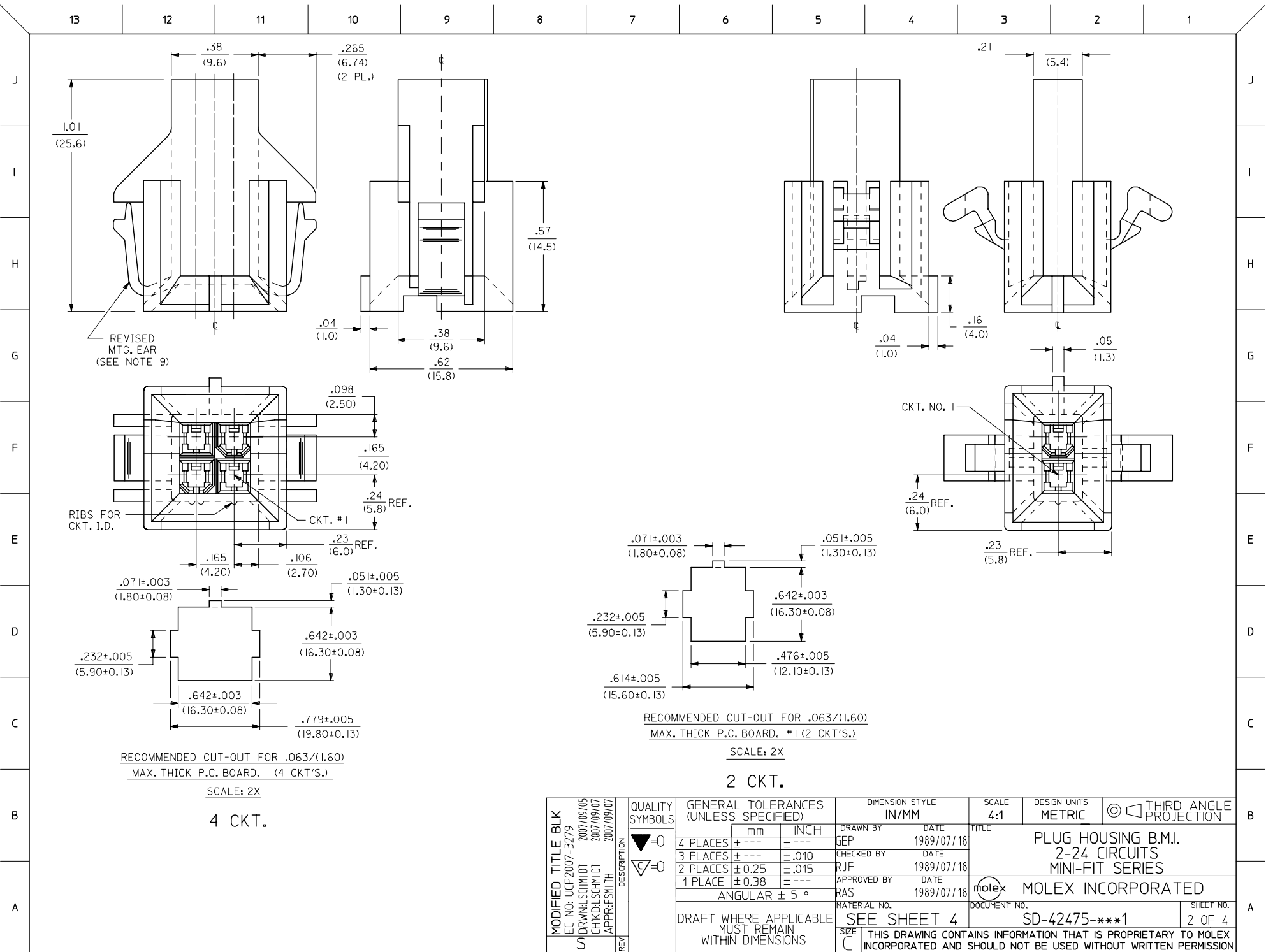
- 10) FOR MANUFACTURING EASE PARTS MAY HAVE OPTIONAL EJECTOR RIBS. SEE SHT. 3 FOR LOCATION.  
 11) DIMENSION DOES NOT INCLUDE EJECTOR RIBS (SEE PAGE #3 FOR PARTS WITH RIBS, RIB DIMENSIONS AND LOCATION).  
 12) IF THIS PRODUCT IS STORED IN AN ENVIRONMENT WITH A RELATIVE HUMIDITY OF LESS THAN 50%, MOISTURE MUST BE ADDED. REFER TO TECHNICAL ADVISORY AS-45499-001 FOR INSTRUCTIONS.  
 13) INTERIOR RIB LOCATION MAY VARY.

- 14) CONNECTOR ASSEMBLIES ARE NOT TO BE MATED OR UNMATED WHILE CIRCUITS ARE LIVE.  
 15) WIRES ARE TO BE DRESSED IN SUCH A MANNER TO ALLOW THE TERMINALS TO FLOAT FREELY IN THE POCKET.  
 16) PART CONFORMS TO CLASS "B" REQUIREMENTS OF COSMETIC SPECIFICATION PS-45499-022.

4	S1
3	S
2	S
1	S1
SHEET REV	

ADDED 50362323 EC NO: UCP2009-0892 DRWNG: JALOSTHEMER 2008/10/09 CHKD: JEBELL 2008/10/14 APPR: FSMITH 2008/10/15	QUALITY SYMBOLS	GENERAL TOLERANCES (UNLESS SPECIFIED)	DIMENSION STYLE	SCALE	DESIGN UNITS	THIRD ANGLE PROJECTION															
	$\nabla=0$ $\nabla=0$	<table border="1"> <tr> <th></th> <th>mm</th> <th>INCH</th> </tr> <tr> <td>4 PLACES</td> <td>± ---</td> <td>± ---</td> </tr> <tr> <td>3 PLACES</td> <td>± ---</td> <td>± .010</td> </tr> <tr> <td>2 PLACES</td> <td>± 0.25</td> <td>± .015</td> </tr> <tr> <td>1 PLACE</td> <td>± 0.38</td> <td>± ---</td> </tr> </table>		mm	INCH	4 PLACES	± ---	± ---	3 PLACES	± ---	± .010	2 PLACES	± 0.25	± .015	1 PLACE	± 0.38	± ---	IN/MM	4:1	METRIC	
		mm	INCH																		
	4 PLACES	± ---	± ---																		
3 PLACES	± ---	± .010																			
2 PLACES	± 0.25	± .015																			
1 PLACE	± 0.38	± ---																			
	ANGULAR ±1/2°	DRAWN BY DATE	TITLE	PLUG HOUSING B.M.I. 2-24 CIRCUITS MINI-FIT SERIES																	
	DRAFT WHERE APPLICABLE MUST REMAIN WITHIN DIMENSIONS	GEP 1989/07/18	42475-***1																		
S1			CHECKED BY DATE R/JF 1989/07/18 APPROVED BY DATE RAS 1989/07/18	MOLEX MOLEX INCORPORATED SD-42475-***1																	
			MATERIAL NO. SEE SHEET 4	DOCUMENT NO. SD-42475-***1	SHEET NO. 1 OF 4																
THIS DRAWING CONTAINS INFORMATION THAT IS PROPRIETARY TO MOLEX INCORPORATED AND SHOULD NOT BE USED WITHOUT WRITTEN PERMISSION																					

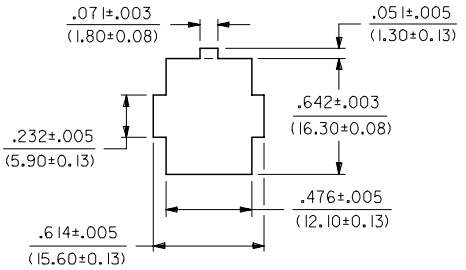
SEE SHEET 2 FOR 2 & 4 CKT. PARTS



RECOMMENDED CUT-OUT FOR .063/(1.60)  
MAX. THICK P.C. BOARD. (4 CKT'S.)

SCALE: 2X

4 CKT.



RECOMMENDED CUT-OUT FOR .063/(1.60)  
MAX. THICK P.C. BOARD. #1 (2 CKT'S.)

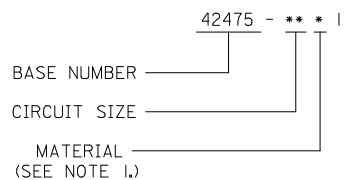
SCALE: 2X

2 CKT.

MODIFIED TITLE BLK EC NO: UCP2007-3279 DRWALLSCHMIDT 2007/09/05 CHKD:LSHMI DT 2007/09/07 APPR:FSM TH 2007/09/07 REVISIONS	QUALITY SYMBOLS ▽=0 ▽=0	GENERAL TOLERANCES (UNLESS SPECIFIED) mm INCH 4 PLACES ± --- ± --- 3 PLACES ± --- ± .010 2 PLACES ± 0.25 ± .015 1 PLACE ± 0.38 ± --- ANGULAR ± 5 °	DIMENSION STYLE IN/MM DRAWN BY DATE GEP 1989/07/18 CHECKED BY DATE RJF 1989/07/18 APPROVED BY DATE RAS 1989/07/18 MATERIAL NO. SEE SHEET 4	SCALE 4:1 DESIGN UNITS METRIC THIRD ANGLE PROJECTION	TITLE PLUG HOUSING B.M.I. 2-24 CIRCUITS MINI-FIT SERIES MOLEX INCORPORATED DOCUMENT NO. SD-42475-***1 SHEET NO. 2 OF 4	
	DRAFT WHERE APPLICABLE MUST REMAIN WITHIN DIMENSIONS		THIS DRAWING CONTAINS INFORMATION THAT IS PROPRIETARY TO MOLEX INCORPORATED AND SHOULD NOT BE USED WITHOUT WRITTEN PERMISSION			

	13	12	11	10	9	8	7	6	5	4	3	2	1		
	PART NUMBER	ENG. NUMBER	CKT. SIZE	MATERIAL (SEE NOTE 1.)	PART NUMBER	CKT. SIZE	MATERIAL (SEE NOTE 1.)	MOUNTING EAR TYPE							
								CKT. SIZE	DESIGN A, DESIGN B (SEE SHEET I)						
J	NOT TOOLED	42475-0211	2	I						42475-***2I, 5558-GS*	42474-***2I, 5556-PBGS*P	94V-0	PHOS. BRZ.	GOLD	
										42475-***1I, 5558-GS*	42474-***1I, 5556-PBGS*P	94V-2			
										42475-***2I, 5558-GS*	42474-***2I, 5556-GS*P	94V-0	BRASS	GOLD	
										42475-***1I, 5558-GS*	42474-***1I, 5556-GS*P	94V-2			
	15-06-0045	42475-0411	4	↑	42475-0431	4	↑	2	N/A	42475-***2I, 5558-PBS*	42474-***2I, 5556-PBS*P	94V-0	PHOS. BRZ.	TIN	
										42475-***1I, 5558-PBS*	42474-***1I, 5556-PBS*P	94V-2			
	15-06-0065	42475-0611	6		42475-0631	6		4	B	42475-***2I, 5558-S*	42474-***2I, 5556-S*P	94V-0	BRASS	TIN	
										42475-***1I, 5558-S*	42474-***1I, 5556-S*P	94V-2			
	15-06-0085	42475-0811	8		42475-0831	8		6	B	42475-***2I, 5558-GS*	A-42385-***D2	94V-0	PHOS. BRZ.	GOLD	
I										42475-***1I, 5558-GS*	A-42385-***C2	94V-2			
	15-06-0105	42475-1011	10		42475-1031	10		8	A	42475-***2I, 5558-GS*	A-42385-***B2	94V-0	BRASS	GOLD	
										42475-***1I, 5558-GS*	A-42385-***A2	94V-2			
	NOT TOOLED	42475-1211	12			12		10	B	42475-***2I, 5558-PBS*	A-42385-***D1	94V-0	PHOS. BRZ.	TIN	
										42475-***1I, 5558-PBS*	A-42385-***C1	94V-2			
	15-06-0145	42475-1411	14		42475-1431	14		12	N/A	42475-***2I, 5558-S*	A-42385-***B1	94V-0	BRASS	TIN	
										42475-***1I, 5558-S*	A-42385-***A1	94V-2			
	NOT TOOLED	42475-1611	16			16		14	B	PLUG HOUSING/ MALE TERMINAL		MATING CONNECTOR	HSG. MAT'L.	TERM. MAT'L.	PLATING
H												MATING CONNECTOR FEATURES			
	15-06-0185	42475-1811	18		42475-1831	18		16	N/A						
	15-06-0205	42475-2011	20		42475-2031	20		18	A & B						
	NOT TOOLED	42475-2211	22	↓		22	↓	20	A						
	15-06-0245	42475-2411	24	I	42475-2431	24	3	22	N/A						
G															
								24	B						
	NOT TOOLED	42475-0221	2	2		2	4								
	15-06-0046	42475-0421	4	↑	42475-0441	4	↑								
F															
	15-06-0066	42475-0621	6			6									
	50-36-2323	42475-0821	8			8									
	15-06-0106	42475-1021	10		42475-1041	10									
	NOT TOOLED	42475-1221	12			12									
	15-06-0146	42475-1421	14		42475-1441	14									
E															
	NOT TOOLED	42475-1621	16			16									
	15-06-0186	42475-1821	18		42475-1841	18									
	15-06-0206	42475-2021	20		42475-2041	20									
	NOT TOOLED	42475-2221	22	↓		22	↓								
D															
	15-06-0246	42475-2421	24	2	42475-2441	24	4								

**LEGEND:**



<b>ADDED 50362323</b> EC NO: UCP2009-0892 DRWN: KLOSTNER 2008/10/09 CHKD: JELL 2008/10/14 APPR: FSMITH 2008/10/15	QUALITY SYMBOLS ▽=0 ▽=0	GENERAL TOLERANCES (UNLESS SPECIFIED) <table border="1"> <tr> <th></th> <th>mm</th> <th>INCH</th> </tr> <tr> <td>4 PLACES ±</td> <td>---</td> <td>---</td> </tr> <tr> <td>3 PLACES ±</td> <td>---</td> <td>±.010</td> </tr> <tr> <td>2 PLACES ±</td> <td>0.25</td> <td>±.015</td> </tr> <tr> <td>1 PLACE ±</td> <td>0.38</td> <td>±---</td> </tr> </table>		mm	INCH	4 PLACES ±	---	---	3 PLACES ±	---	±.010	2 PLACES ±	0.25	±.015	1 PLACE ±	0.38	±---	DIMENSION STYLE <b>IN/MM</b> DRAWN BY: GEP DATE: 1989/07/18 CHECKED BY: RJF DATE: 1989/07/18 APPROVED BY: RAS DATE: 1989/07/18	SCALE: 4:1 DESIGN UNITS: METRIC THIRD ANGLE PROJECTION	TITLE: <b>PLUG HOUSING B.M.I.          2-24 CIRCUITS,          MINI-FIT SERIES</b>
		mm	INCH																	
	4 PLACES ±	---	---																	
	3 PLACES ±	---	±.010																	
2 PLACES ±	0.25	±.015																		
1 PLACE ±	0.38	±---																		
MATERIAL NO. <b>SEE CHART</b>	DOCUMENT NO. <b>SD-42475-***1</b>	SHEET NO. <b>4 OF 4</b>	<b>MOLEX INCORPORATED</b>																	
DRAFT WHERE APPLICABLE MUST REMAIN WITHIN DIMENSIONS			THIS DRAWING CONTAINS INFORMATION THAT IS PROPRIETARY TO MOLEX INCORPORATED AND SHOULD NOT BE USED WITHOUT WRITTEN PERMISSION																	
S1	REV																			